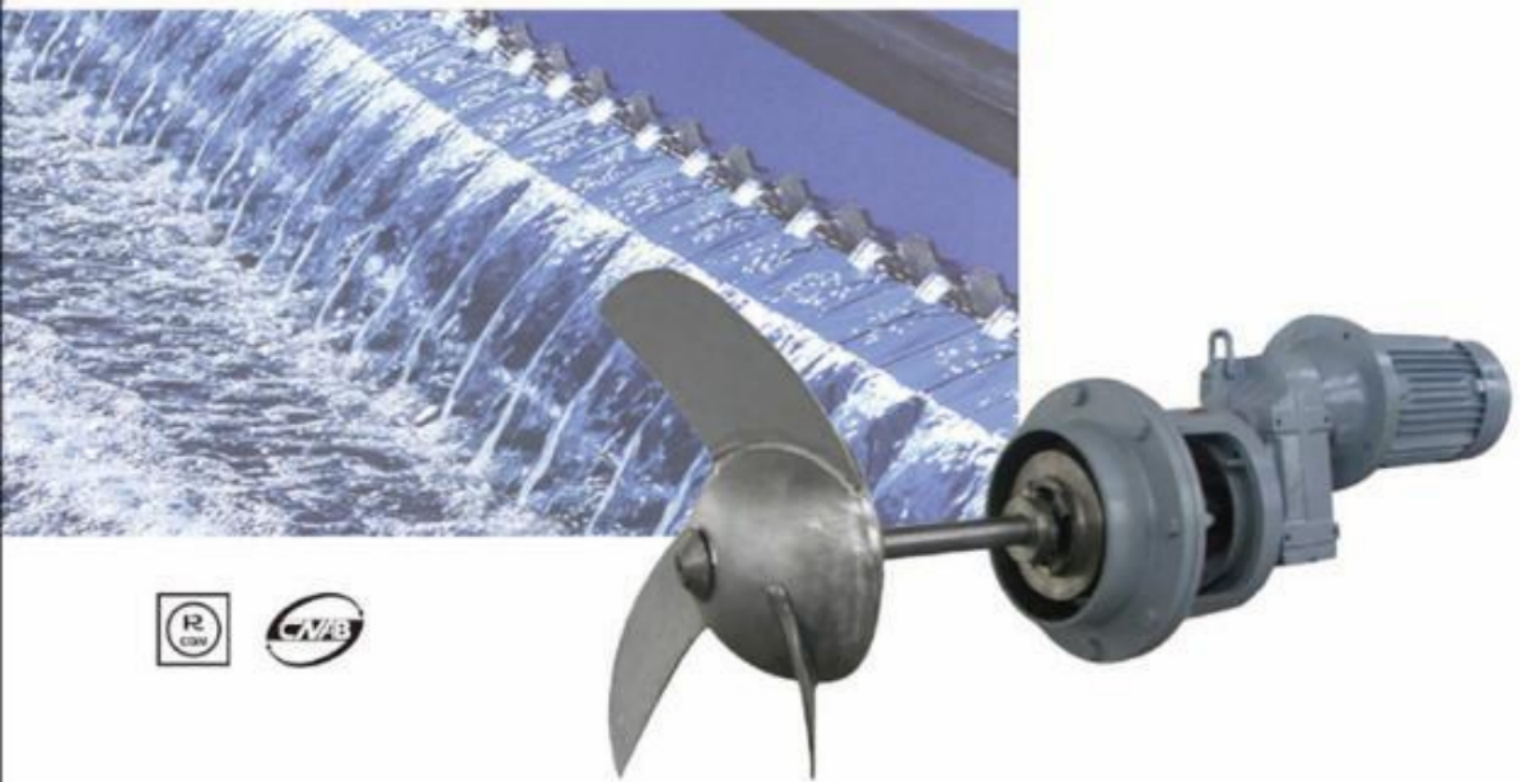




# CJB 型穿壁式搅拌机

## CJB Type Outboard Mixer



## CJB型穿壁式搅拌机 CJB Type Outboard Mixer

### 型号表示 Type Code



### 应用范围 Application Scope

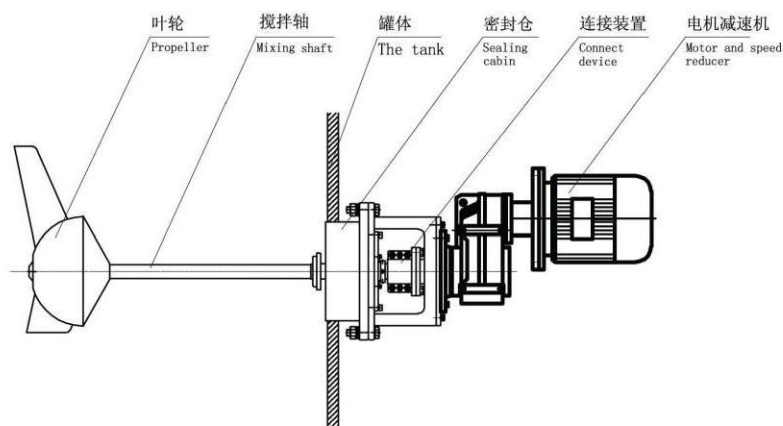
穿壁式搅拌机是我公司利用潜水密封技术自主研发的一种新型搅拌装置。它主要应用在大型罐体、反应釜等需要混合搅拌的容器里。

The outboard mixer is a new mixing device that was innovated and developed by our company using submersible sealing technology. It is mainly used in mixing vessels such as big tanks and reaction kettles.

### 结构简介 Structure Brief

穿壁式搅拌机由传动部件、叶轮、密封仓等组成。见下图：

The outboard mixer is composed of driving parts, impeller, sealing silo etc. Please see follow drawing:



## 工作特性 Operating Features

其工作特点是利用外置的动力装置，通过传动轴带动封闭容器内的叶轮的旋转，从而进行固、液、气体的混合搅拌，以防止固体物的沉淀。

By using the outboard dynamic installation, the impeller in the sealed vessel rotating through the transmission shaft, the solid, liquid, and gas are mixed, in order to prevent solids from settling. Please see the following drawing:

## 产品特点 Product Characteristics

该设备采用减速机、齿轮传动，整机运行平稳，不会对搅拌容器的构筑物产生影响。采用多道密封，设有堵漏装置，可在不排水情况下更换密封，运行更可靠安全，维修更便捷。

This equipment uses reducer and gear wheel for transmission, the equipment will run stably, not influencing the structures of the mixer. Several sealing installations are applied, which will make the performance more liable and safe, and the maintenance will become more facile as well.

## 性能参数 Performance Parameters

型号Type	叶轮直径(mm) Impeller diameter (mm)	转速(rpm) Rotation speed (rpm)	功率(kw) Power (kw)	重量(kg) Weight(kg)
CJB	320-850	35-385	3-10	<350

该设备选型可根据用户的工艺要求选择搅拌机的叶轮形式和直径及转速。

The impeller type, diameter and rotation speed can be selected according to the user's technological requirements.



## 安装方式 Installation Modes

安装位置灵活，可沿罐的周边任一位置定位。

The installation position is flexible, and can be fixed at any position along the tank fringe.

由于该设备的动力部分和密封件均设计在外部，便于在罐体不需要排空情况下设备的维护保养，特别适合在高温、高腐蚀和高浓度液体的环境下工作。

Because the dynamic parts and sealing parts of this equipment are both outboard, tank maintenance is convenient without a need for emptying, and is especially applicable for operating in a high temperature, high corrosion and high concentration fluid environment.



地址：南京六合经济开发区时代大道 69 号  
Add: No.69 Shidai Avenue, Luhe Economic Development  
Zone, Nanjing, P.R.China  
电话 Tel: +86 25 57139086 86661665 57138396(总机)  
传真 Fax: +86 25 57139096 86669839  
<http://www.njbeite.com>  
E-mail: [Beite@njbeite.com](mailto:Beite@njbeite.com)